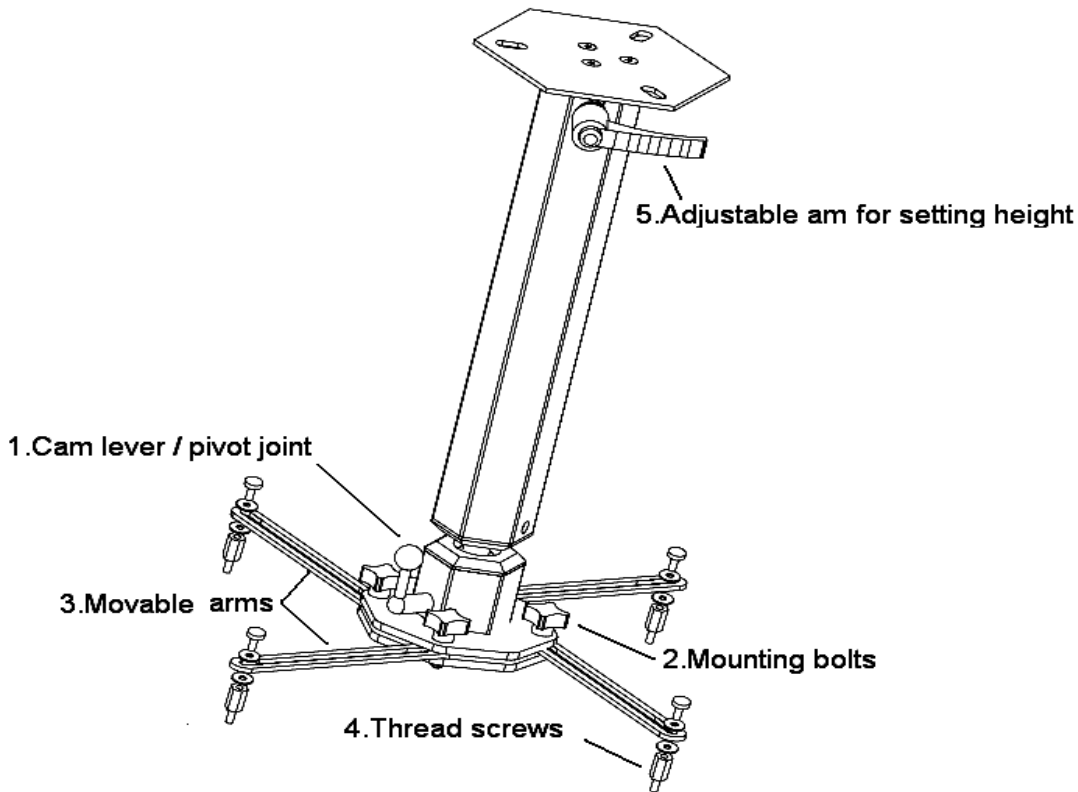


# Projector Ceiling Mount 40–70 cm

## ADJUSTABLE-HEIGHT PROJECTOR CEILING MOUNT INSTRUCTIONS FOR USE



### CONTENTS

- o Projector ceiling mount, adjustable-height 40–70 cm
- o Thread screws for Sanyo series XU70/XU73/XU74/XU83/XU84/XU86/XU87/XE31
- o Thread screws for Sanyo series XU41/XU47/XU48/XU51/XU58
- o Thread screws for Sanyo series XT20/XT25
- o Thread screws for Sanyo series XP/PLV 75/PLV 80
- o Thread screws: 4xM3, 4xM4  
Sanyo Series XU100/XU110/XW50/XW55/XL40: 4xM4 + 8 washers
- o Thread screws: 4xM5, 4xM6  
Sanyo PLV Z5/PLV Z4: 3xM6 + 6 washers

### INSTRUCTIONS FOR USE

1. Mount the appropriate thread screws (M3, M4, M5 or M6, or with Sanyo projectors the thread screws for the respective Sanyo series) in the threaded holes on the base of the projector. Using washers and the appropriate screws, attach the movable arms to the thread screws on the projector with a screwdriver.
2. Tighten the mounting bolts as well as the cam lever on the pivot joint. Use the adjustable arm to set the height.
3. Do not change any individual settings if the projector has already been mounted. Adjustments should only be made on the whole mount.
4. Be sure the ceiling mount is installed in a safe position above head height and not over existing passageways.

### NOTE:

**The ceiling mount should only be installed on the ceiling by a trained specialist. The maximum load capacity of the ceiling mount is 25 kg.**



Max.Load Capacity 25 kg